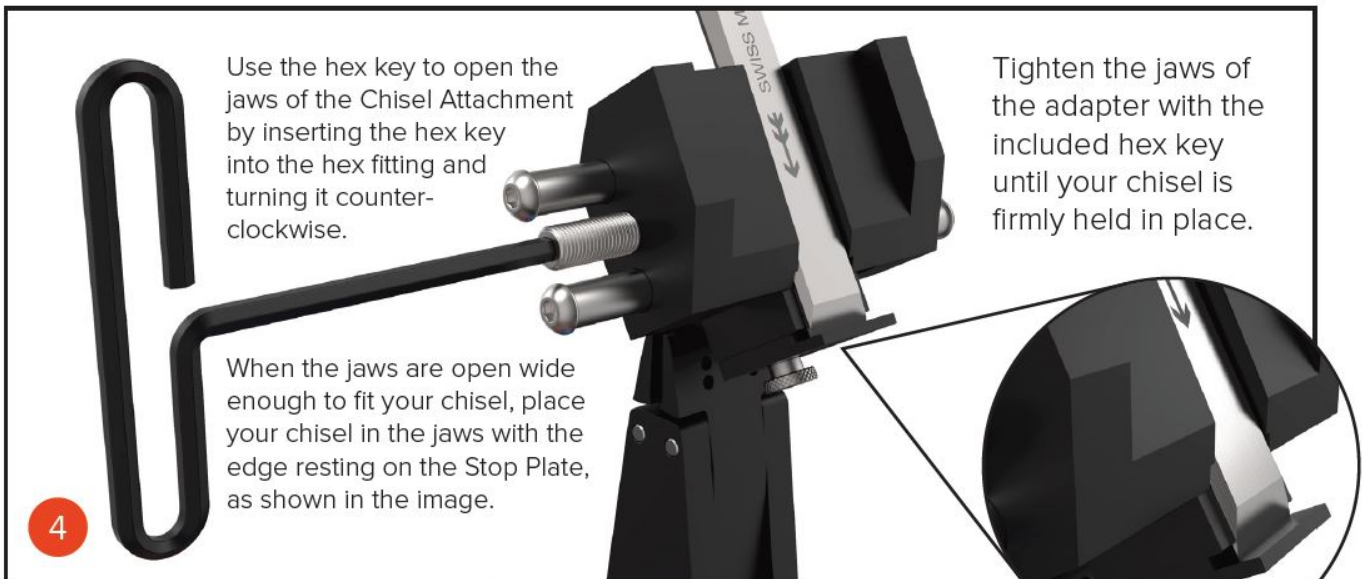
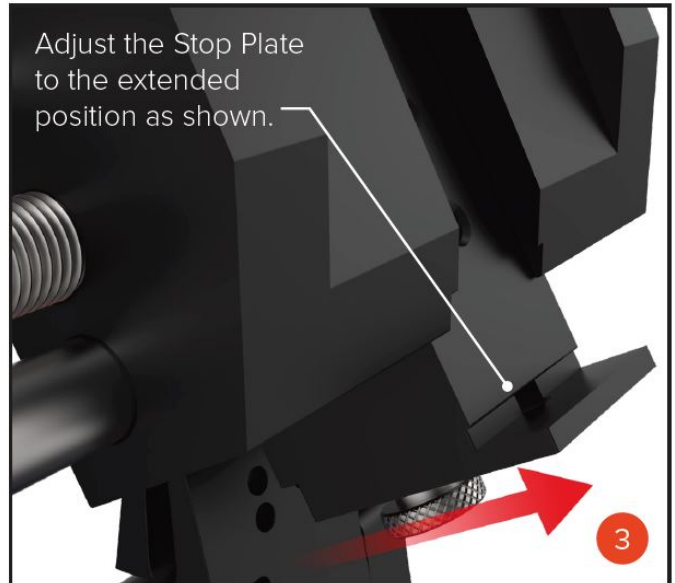


Chisel Attachment Instructions

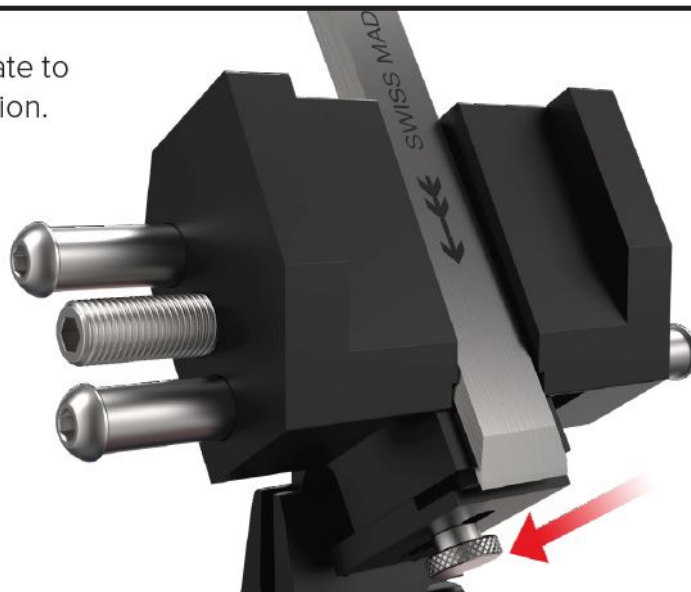
Insert the Chisel Attachment in the vise of your sharpener with the Chisel Attachment's Jaws facing to the right and the hex pocket in the threaded bolt facing toward you, as shown in the image. Tighten your sharpener's vise so the attachment is firmly held in place.



1

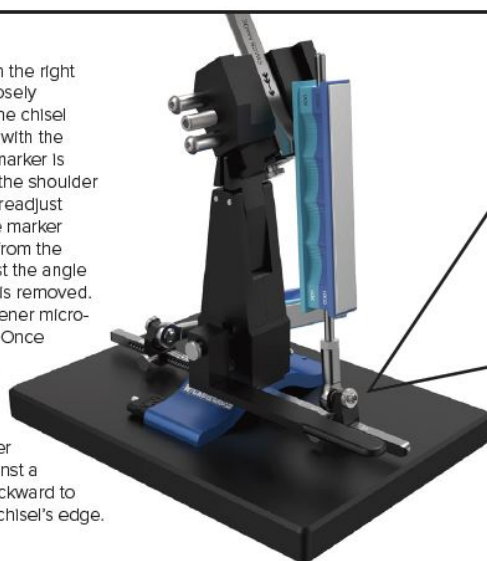


Adjust the Stop Plate to the retracted position.



5

Place a fine grit stone on the Guide Rod on the right and adjust the angle of the stone until it closely matches that of the chisel bevel. Color in the chisel bevel with a marker and make a light pass with the stone to observe where on the bevel the marker is removed. If the marker is only removed at the shoulder of the bevel, farthest away from the edge, readjust the angle inwards and try again until all the marker is removed. If the marker is only removed from the edge and not the rest of the bevel, readjust the angle outwards and try again until all the marker is removed. You may find it necessary to use the sharpener micro-adjustment feature to get a perfect match. Once you've correctly set the angle, record your settings for future touch-ups. Progress through your stones and use finer grits to achieve a polished bevel. When you're done, remove the chisel from the sharpener and lay the back side of the chisel flat against a fine grit diamond stone, and then pull it backward to knock off the burr on the back side of the chisel's edge.



Adjust the angle.

6